

PICCOLO



The Piccolo is a wall mounted electric point of use water heater, ideal for occasional use areas, such as kitchens, loft conversions and cloak rooms where there is limited space.

- / Open outlet electric water heater
- / 5 litre capacity
- / External temperature control
- / Heating indicator light
- / 9 minute reheat time
- / Supplied with directional spout and cold water inlet valve
- / Mains pressure or gravity feed

ENERGY RATING



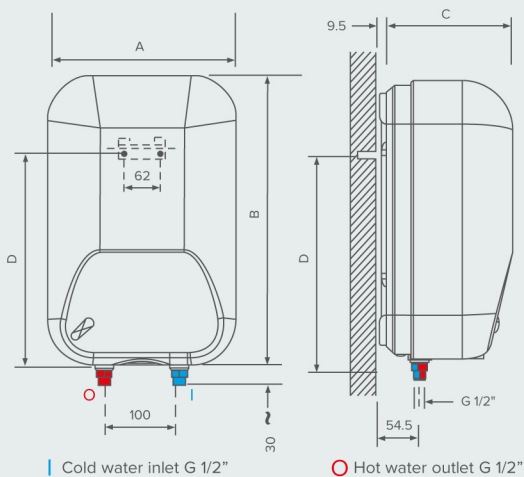
ENERGY EFFICIENT



SUPER SILENT



COMPACT SIZE



TECHNICAL DATA

Type		
Capacity (Litres)	l	
Installation		
ErP Class		
Element rating	kW	
Tapping profile		
Heating time	min	
Unit weight	kg	
Voltage	V	
Max working temperature	°C	
Heat loss	kWh/24h	

PICCOLO

5
Open outlet
5
Oversink
A
2
XXS
9
2.6
230
75
0.25

Product code

3100525



PICCOLO

A = 251mm B = 385mm C = 174mm D = 270mm