



ARISTON



VELIS EVO WI-FI
ELECTRIC STORAGE WATER HEATER

VELIS EVO

WALL HUNG ELECTRIC STORAGE WATER HEATER

HOT WATER | HEATING | RENEWABLES

ariston.com

VELIS EVO FEATURES AND BENEFITS



Velis Evo is the perfect blend of comfort and design. Revolutionary in electric storage water heating, the Velis Evo is shower ready in less than 30 minutes.*

- / Ultra slim twin tank design
- / "Eco Evo" function
- / Wi-Fi compatible for smartphone control*
- / Best in class ErP rating
- / Anti-legionella and ABS safety system
- / Shower ready alerts on screen** and in-app*
- / Fast re-heat times, shower ready in less than 30 minutes*
- / Premium italian design
- / Available in 45 and 80 litre models
- / Must be installed with supplied unvented kit

* Velis Evo Wi-Fi only
** Velis Evo only



ENERGY RATING



VELIS EVO ELECTRIC STORAGE WATER HEATER



SLIM FIT DESIGN - ONLY 27CM DEPTH

TITANIUM ENAMELLED TANK

With its proprietary titanium tank engineering, the Velis Evo boasts exceptional durability and an extended product life.

TWIN TANK STRUCTURE

ABS SAFETY SYSTEM

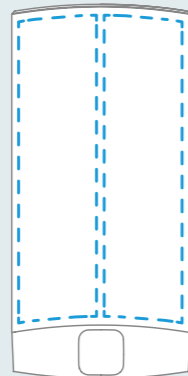
A set of functions, including Anti-Overheating, Anti-Freezing and Dry Heating Self-Diagnosis, which protect the unit in case of energy or water failures.

SMART BLUE TECH TOUCH SCREEN

KEY FEATURES:

TWIN TANK TECHNOLOGY

Get up to **16% more hot water** with all models in the Velis Evo range, which boasts an innovative, high quality **titanium enamelled twin tank structure** for added durability. **Reduced stratification** with the unique twin tank technology, providing **extra hot water** and a **hot shower in less than 30 minutes.***



AQUA ARISTON NET

Velis Evo Wi-Fi is compatible with the Aqua Ariston Net app, allowing **full control and monitoring** from the palm of your hand. **Shuffle through modes** and turn the unit on remotely for a hot shower at the perfect time. With Aqua Ariston Net you can monitor energy consumption and achieve **savings of up to 25%** using daily and weekly programming.

ECO EVO - SMART FUNCTION

The innovative **ECO EVO** function memorises user habits to deliver hot water while saving up to 14% on energy bills. The product operates in compliance with top standards on energy efficiency within the electric water heating category.



UP TO 14% ENERGY SAVINGS

EASY TO CONFIGURE

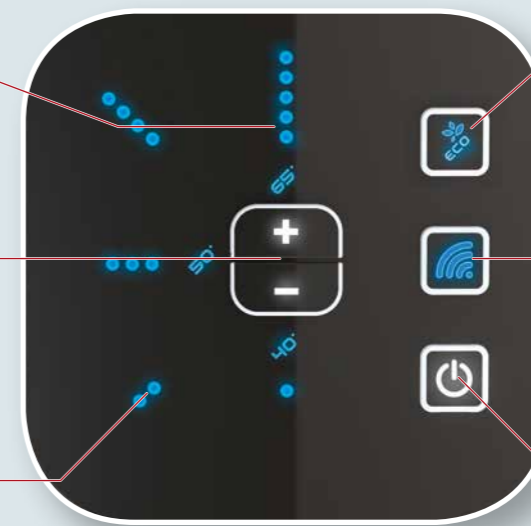
TEMPERATURE UP/DOWN CONTROLS

BLUE LED DISPLAY

ECO EVO FUNCTION

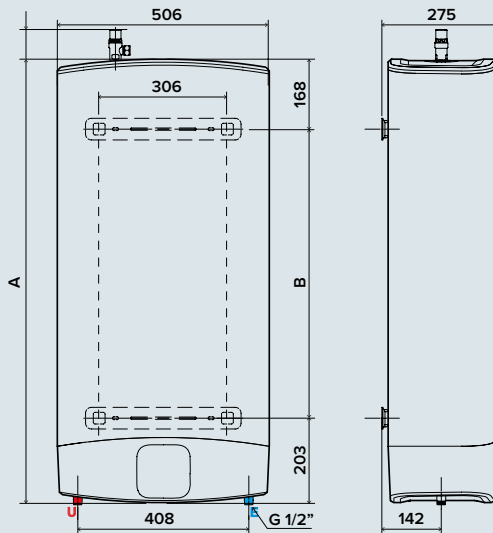
WI-FI FUNCTION

ON/OFF BUTTON



Panel shown is for the Velis Evo Wi-Fi

PRODUCT DIMENSIONS



VELIS 45

A = 776mm B = 405mm

VELIS 80

A = 1251mm B = 880mm

LEGEND

E Cold water inlet G 1/2" **U** Hot water outlet G 1/2"

	VELIS EVO		VELIS EVO WI-FI	
	45	80	45	80
Technical Data	45	80	45	80
Installation	Vertical	Vertical	Vertical	Vertical
Actual Capacity (L)	45	80	45	80
Power (kW)	1.5/1.5	1.5/1.5	3/3	3/3
Body Colour	White	White	Brushed Metal	Brushed Metal
Voltage (V)	220-240	220-240	230-240	230-240
Frequency (Hz)	50/60	50/60	50/60	50/60
V40 (l)	77	115	77	115
IP Protection	IPX4	IPX4	IPX4	IPX4
Max Working Temp (°C)	65	65	65	65
ErP Rating	B	B	B	B
Tapping Profile	M	M	M	M
Warranty	5 years	5 years	5 years	5 years
Aqua Ariston Net Compatibility	No	No	Yes	Yes
Heating Times ($\Delta T=45^{\circ}\text{C}$)	1h	1h 52m	29m	56m
Standing Losses [kWh/24h] @65°C	0.96	1.32	0.96	1.32
PRODUCT CODES (including unvented kits)	3626305	3626306	3626307	3626308

SLIM, SMART AND SUPER FAST WATER HEATING

HOT WATER | HEATING | RENEWABLES

Customer Service: customer.service.uk@aristonthermo.com | 0333 240 8777

Sales: salesoffice@aristonthermo.com | 0333 240 6666

ariston.com

@AristonUK
 /AristonUK
 /AristonThermo
 /AristonUK

